

INSTALLATION INSTRUCTIONS

LED PANEL LIGHT

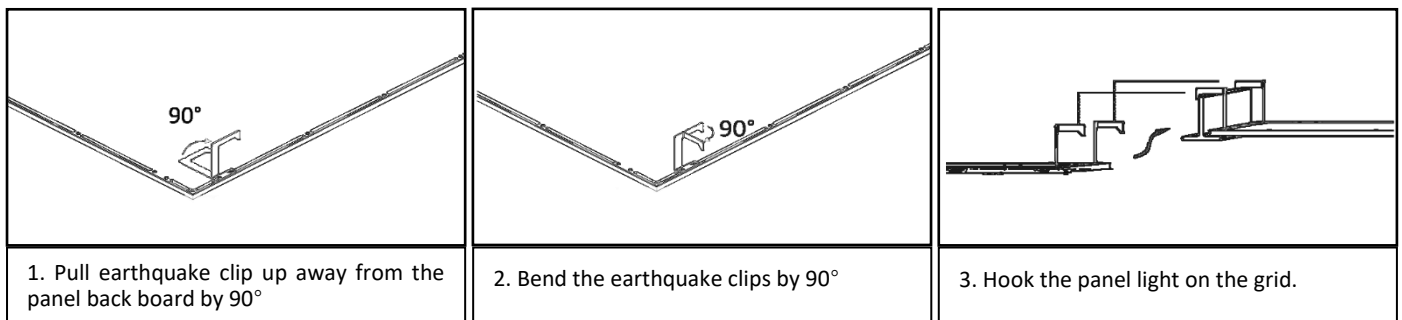
PLEASE read these instructions carefully before installation and keep for reference.

WARNING:

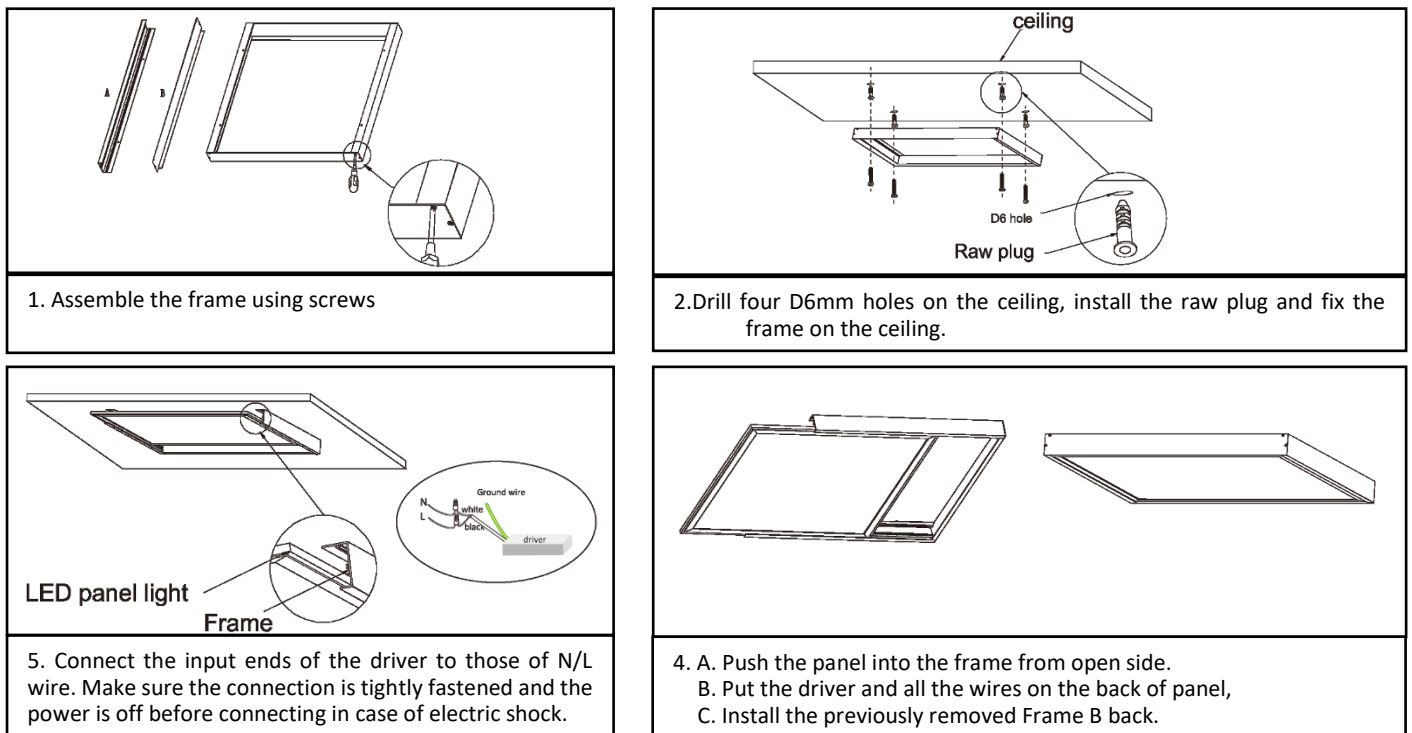
- Need to be installed, checked and repaired by professional electrician.
- Make sure to connect with proper voltage and install according to the instructions so that the panel light can work.
- For safety purpose, cut off the power before installing or removing the lamp.
- Don't install the panel light to unstable ceiling or combustible materials.
- Cut off the power if there is any abnormal phenomenon.
- Do not modify the lamp or change the components.
- Do not use the lamp under the condition of direct sunlight, humidity, fog, rain and corrosive gas, explosive gas, dust, liquid.

NOTE: Please comply with all warnings to ensure validity of warranty and personal safety.

ERTHQUAKE CLIPS INSTALLATION:



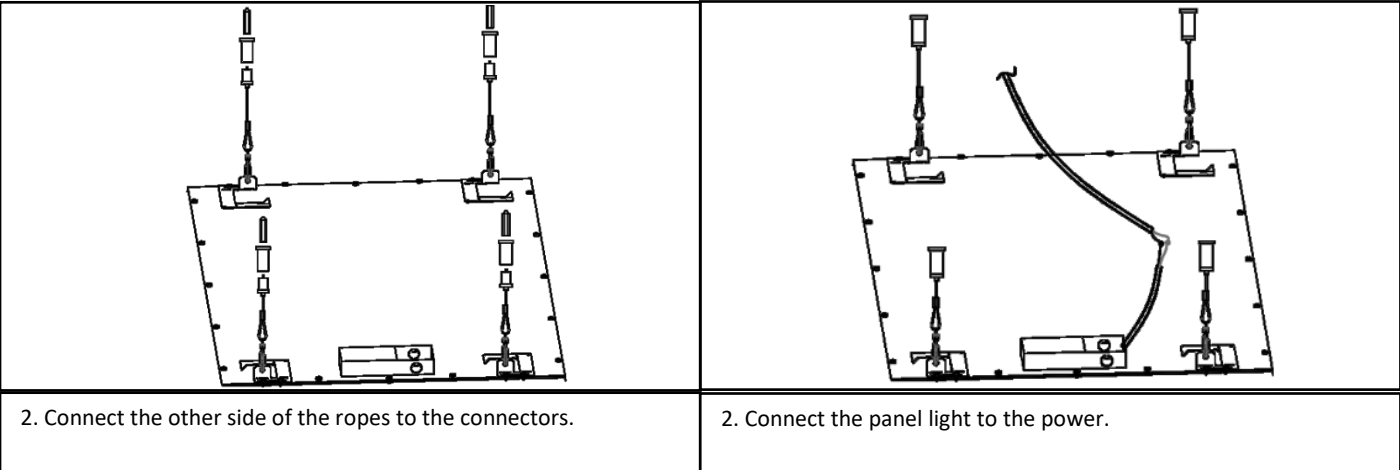
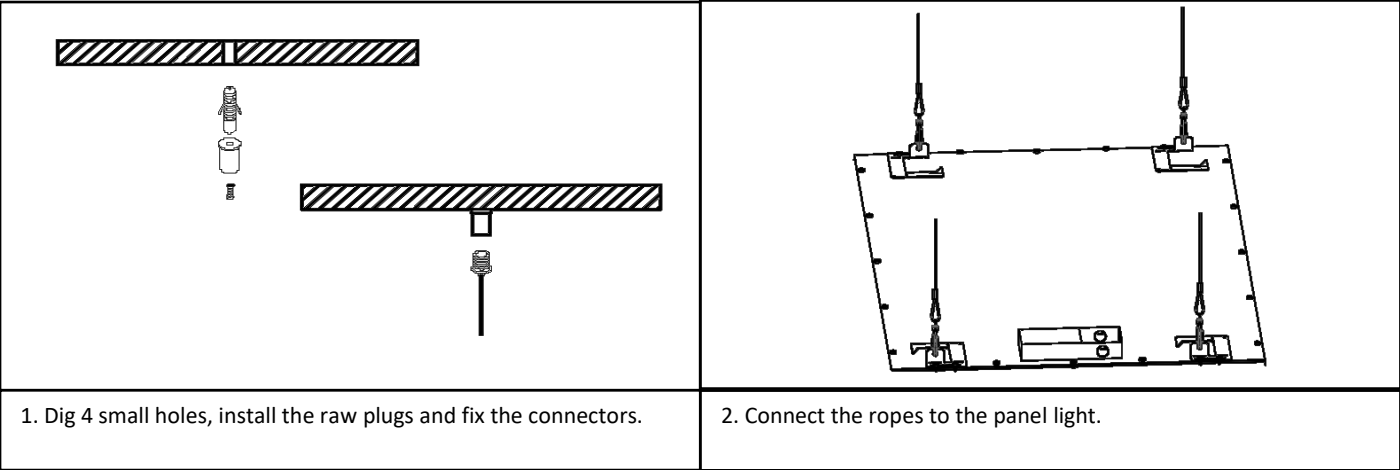
SURFACE MOUNTED INSTALLATION:



INSTALLATION INSTRUCTIONS

LED PANEL LIGHT

CABLE-SUSPENDED INSTALLATION:



WIRE CONNECTION:

0/1-10v Dimmable

