

INSTALLATION INSTRUCTION

LED TROFFER

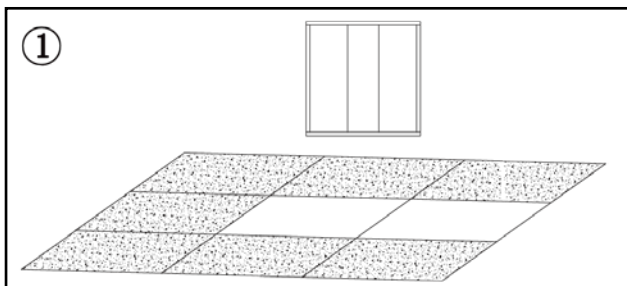
PLEASE read these instructions carefully before installation and keep for reference.

CAUTION:

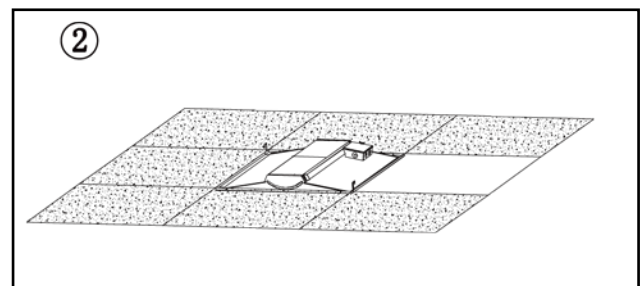
- RISK OF FIRE
- THIS PRODUCT MUST BE INSTALLED IN ACCORDANCE WITH THE APPLICABLE INSTALLATION CODE BY A PERSON FAMILIAR WITH THE CONSTRUCTION AND OPERATION OF THE PRODUCT AND THE HAZARDS INVOLVED

NOTE: Please comply with all warnings to ensure validity of warranty and personal safety.

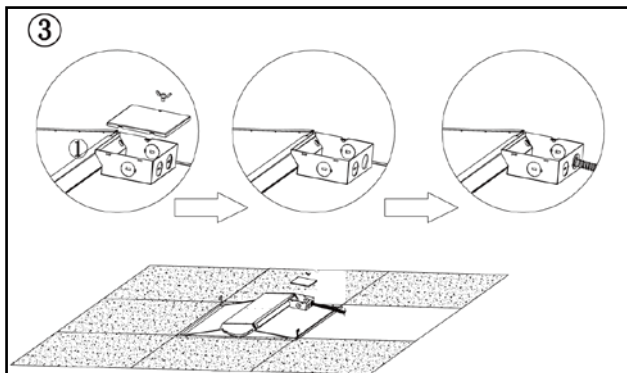
INSTALLATION GUIDE:



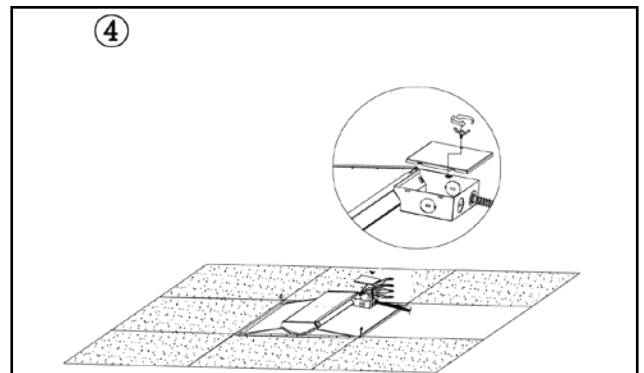
Step 1. Remove two boards



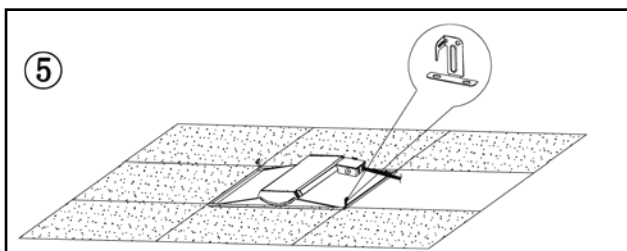
Step 2. Put the lamp on ceiling



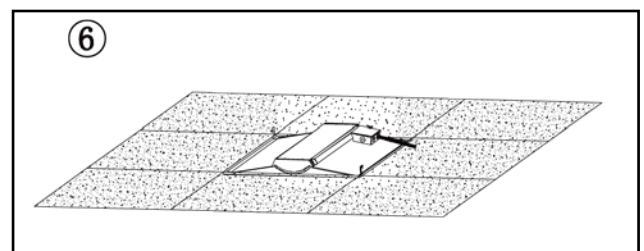
Step 3. Open the cover of junction box, knock off the piece of side; install serpentine coil in junction box.



Step 4. Connect the wires with P2, Refer to wiring diagram as below



Step 5. Lock the lamp on framework



Step 6. Put another board back, check the Lamp must be placed firmly

INSTALLATION INSTRUCTION

LED TROFFER

WIRING DIAGRAM:

